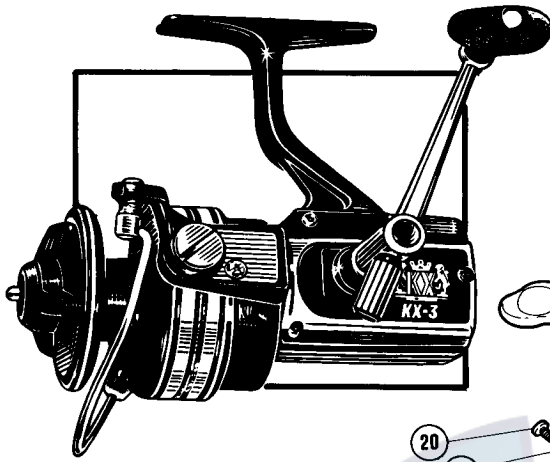
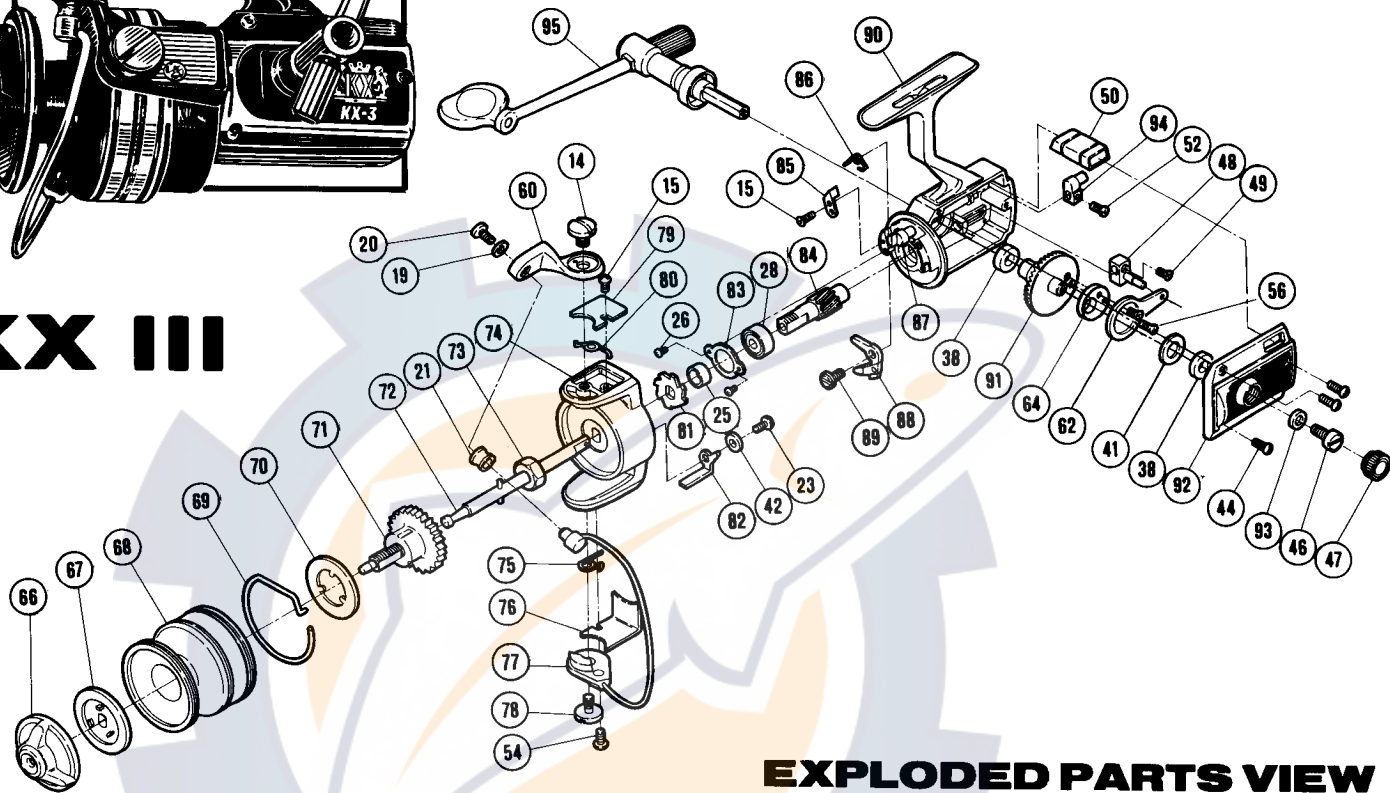


Shimano American Corporation, 205 Jefferson Road  
Parisippany, N.J. 07054



**KX III**



**EXPLODED PARTS VIEW**

**PARTS LIST**

PART #	DESCRIPTION	PRICE	PART #	DESCRIPTION	PRICE	PART #	DESCRIPTION	PRICE
14	Bail Mount Screw	.50	54	Trip Lever Cover Screw	.15	78	Bail Wire Screw	.50
15	Bail Spring Cover Screw	.15	56	Oscillation Disk Screw	.15	79	Bail Spring Cover	.20
19	Line Guide Lock Washer	.15	60	Bail Mount	1.75	80	Bail Spring	.25
20	Line Guide Screw	.50	62	Oscillation Guide	.40	81	Anti Reverse Ratchet	.50
21	Roller Line Guide	1.25	64	Oscillation Disk	.30	82	Trip Lever	.75
23	Trip Lever Screw	.15	66	Drag Adjusting Knob	2.00	83	Bearing Lock	.15
25	Anti Reverse Spacer	.25	67	Drag Disk	.50	84	Pinion Gear	4.25
26	Bearing Lock Screw	.15	68	Spool Shell	15.00	85	Trip Cam	.35
28	Ball Bearing	5.00	69	Click Spring	.50	86	Anti Reverse Shaft Spring	.20
38	Drive Gear Bushing	.50	70	Base Drag Washer	.15	87	Anti Reverse Shaft	.75
41	Thrust Washer	.15	71	Spool Spindle	4.00	88	Anti Reverse Dog	1.00
42	Trip Lever Spacer	.15	72	Spool Axle	4.75	89	Anti Reverse Dog Screw	.35
44	Side Plate Screw	.15	73	Rotor Nut	.25	90	Housing	11.00
46	Handle Retainer Screw	.40	74	Rotor	7.00	91	Drive Gear	10.00
47	Dust Cap	.35	75	Trip Lever Spring	.25	92	Side Plate	5.75
48	Oscillation Block	.65	76	Trip Lever Cover	.35	93	Handle Screw Lock Washer	.20
49	Oscillation Block Screw	.15	77	Bail Wire	2.70	94	Anti Reverse Actuator	.65
50	Anti Reverse Switch	1.00				95	Handle	6.00
52	Actuator Screw	.15						

Prices and specifications subject to change without notice.

FEBRUARY 1982